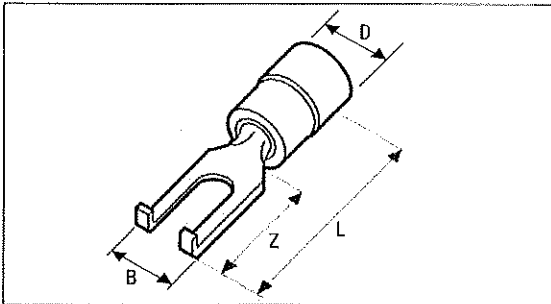
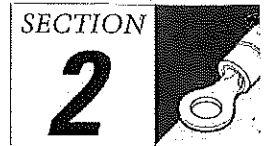


'Easy Entry' Pre-Insulated Connectors 0.5mm² – 6mm²

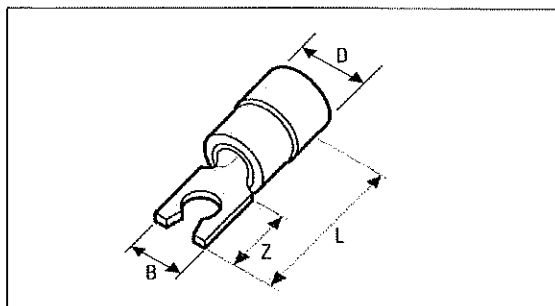


FLANGED FORKS

- Material - High conductivity copper - tin plated Vinyl insulation.



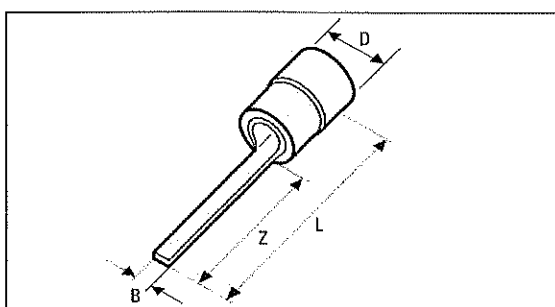
| FLANGED FORK TERMINALS | | | | | | | | | |
|-----------------------------------|----------------|------------------|-------------|-----------------|------|------|-----|----------------------|---------------------------------------|
| CONDUCTOR SIZE (mm ²) | STUD SIZE (mm) | CATALOGUE NUMBER | COLOUR CODE | DIMENSIONS (mm) | | | | INSTALLATION TOOLING | |
| | | | | B | L | Z | D | NON RATCHET | RATCHET |
| 0.5 TO 1.5 | 3 | BER3FF | RED | 7.7 | 19.5 | 9.5 | 4.1 | BM6P | BMR1P1 BMR2P2 BMR6P3 BMR6GP3 |
| 1.0 TO 2.5 | 3 4 | BEB3FF BEB4FF | BLUE | 8.0 | 23.7 | 13.7 | 4.5 | BM6P | BMR2P1 BMR2P2 BMR6P3 BMR6GP3 |



LOCKING FORKS

- Material - High conductivity copper - tin plated Vinyl insulation.

| LOCKING FORK TERMINALS | | | | | | | | | |
|-----------------------------------|----------------|------------------|-------------|-----------------|------|-----|-----|----------------------|---------------------------------------|
| CONDUCTOR SIZE (mm ²) | STUD SIZE (mm) | CATALOGUE NUMBER | COLOUR CODE | DIMENSIONS (mm) | | | | INSTALLATION TOOLING | |
| | | | | B | L | Z | D | NON RATCHET | RATCHET |
| 0.5 TO 1.5 | 3.5 | BER35FG | RED | 6.4 | 19.5 | 9.5 | 4.1 | BM6P | BMR1P1 BMR2P2 BMR6P3 BMR6GP3 |
| 1.0 TO 2.5 | 3.5 | BEB35FG | BLUE | 6.4 | 19.5 | 9.5 | 4.5 | BM6P | BMR2P1 BMR2P2 BMR6P3 BMR6GP3 |



BLADES

- Material - High conductivity copper - tin plated Vinyl insulation.

| BLADE TERMINALS | | | | | | | | | |
|-----------------------------------|------------------|-------------|-----------------|------|------|-----|----------------------|---------------------------------------|--|
| CONDUCTOR SIZE (mm ²) | CATALOGUE NUMBER | COLOUR CODE | DIMENSIONS (mm) | | | | INSTALLATION TOOLING | | |
| | | | B | L | Z | D | NON RATCHET | RATCHET | |
| 0.5 TO 1.5 | BER10B | RED | 2.8 | 19.0 | 9.0 | 4.1 | BM6P | BMR1P1 BMR2P2 BMR6P3 BMR6GP3 | |
| | BER10BN | | 2.2 | 20.5 | 10.5 | 4.1 | | | |
| | BER13B | | 3.0 | 24.6 | 14.6 | 4.1 | | | |
| | BER17B | | 2.2 | 28.5 | 18.5 | 4.1 | | | |
| 1.0 TO 2.5 | BEB10B | BLUE | 2.8 | 19.0 | 9.0 | 4.5 | BM6P | BMR2P1 BMR2P2 BMR6P3 BMR6GP3 | |
| | BEB10BN | | 2.2 | 20.5 | 10.5 | 4.5 | | | |
| | BEB13B | | 2.2 | 23.1 | 13.0 | 4.5 | | | |
| | BEB17B | | 2.2 | 28.5 | 18.5 | 4.5 | | | |
| 4.0 TO 6.0 | BEY10B | YELLOW | 2.8 | 24.0 | 10.0 | 6.8 | BM6P | BMR6P1 BMR6P3 BMR6GP3 | |