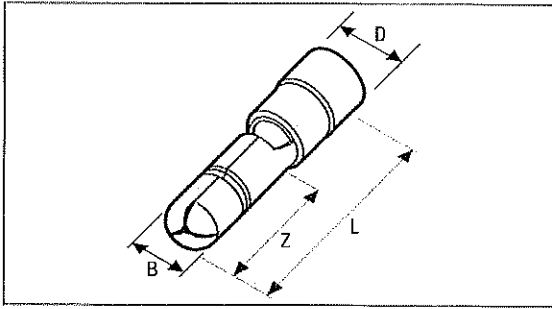


# Disconnect Terminals for Copper Conductors 0.75mm<sup>2</sup> – 6mm<sup>2</sup>



## MALE BULLETS

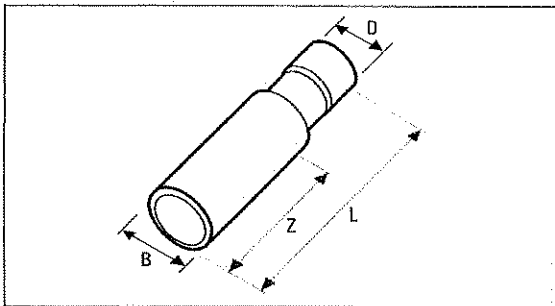
- Material - Brass terminal with copper sleeve - tin plated Vinyl insulation.

MALE BULLETS								
CONDUCTOR SIZE (mm <sup>2</sup> )	CATALOGUE NUMBER	COLOUR CODE	DIMENSIONS (mm)				INSTALLATION TOOLING	
			B	L	Z	D	NON RATCHET	RATCHET
0.75 TO 1.5	BDR4BM	RED	4.00	20.5	10.5	3.2	BM6P	*BMR1P1 *BMR2P2 BMR6P3 BMR6GP3
1.5 TO 2.5	BDB4BM BDB5BM	BLUE	4.00 5.00	20.5 20.5	10.5 10.5	4.1 4.1	BM6P	*BMR2P1 *BMR2P2 BMR6P3 BMR6GP3

\* REMOVE STOP PLATE BEFORE CRIMPING THESE CONNECTORS

## SECTION

# 3



## FEMALE BULLET RECEPTACLES

- Material - Brass terminal with copper sleeve - tin plated Vinyl insulation.

FEMALE BULLETS RECEPTACLES								
CONDUCTOR SIZE (mm <sup>2</sup> )	CATALOGUE NUMBER	COLOUR CODE	DIMENSIONS (mm)				INSTALLATION TOOLING	
			B	L	Z	D	NON RATCHET	RATCHET
0.75 TO 1.5	BDR4BF	RED	6.3	24.5	13.0	3.2	BM6P	*BMR1P1 *BMR2P2 BMR6P3 BMR6GP3
1.5 TO 2.5	BDB4BF BDB5BF	BLUE	6.3 7.0	25.0 25.0	14.0 14.0	4.1 4.1	BM6P	*BMR2P1 *BMR2P2 BMR6P3 BMR6GP3

\* REMOVE STOP PLATE BEFORE CRIMPING THESE CONNECTORS