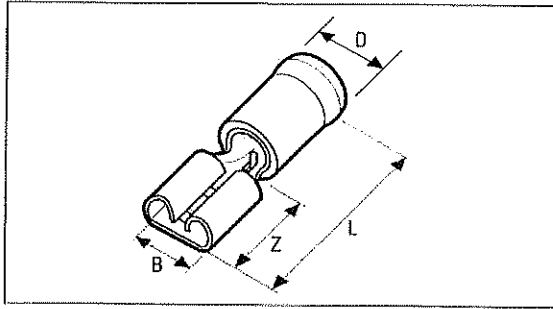


Disconnect Terminals for Copper Conductors 0.75mm² – 6mm²



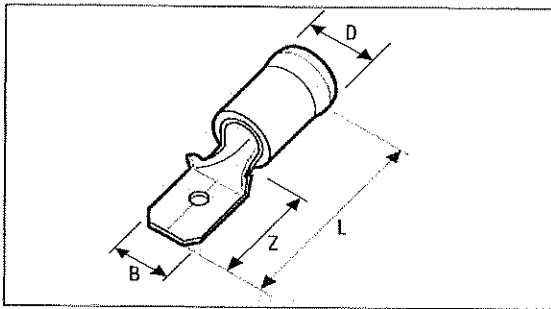
FEMALE RECEPTACLES

- Material - Brass terminal with copper sleeve - tin plated Vinyl insulation.



CONDUCTOR SIZE (mm ²)	TAB SIZE (mm)	CATALOGUE NUMBER	COLOUR CODE	DIMENSIONS (mm)				INSTALLATION TOOLING	
				B	L	Z	D	NON RATCHET	RATCHET
0.75 TO 1.5	2.8 x 0.5	BDR285F	RED	3.7	18.5	8.5	3.2	BM6P	*BMR1P1
	2.8 x 0.8	BDR288F		3.7	18.5	8.5	3.2		*BMR2P2
	4.8 x 0.5	BDR485F		5.7	19.0	9.0	3.2		BMR6P3
	4.8 x 0.8	BDR488F		5.7	19.0	9.0	3.2		BMR6GP3
	6.3 x 0.8	BDR63F		7.4	20.8	10.8	3.2		
1.5 TO 2.5	6.3 x 0.8	BDR63FE	BLUE	9.0	23.5	-	3.2	BM6P	*BMR2P1
	6.3 x 0.8	BDR63FN		7.6	20.5	11.0	3.2		*BMR2P2
	4.8 x 0.5	BDB485F		5.7	19.0	9.0	4.1		BMR6P3
	4.8 x 0.8	BDB488F		5.7	19.0	9.0	4.1		BMR6GP3
	6.3 x 0.8	BDB63F		7.4	20.8	10.8	4.1		
4.0 TO 6.0	6.3 x 0.8	BDB63FE	YELLOW	9.0	23.5	-	4.1	BM6P	*BMR6P1
	6.3 x 0.8	BDB63FN		9.0	24.0	14.0	4.1		*BMR6P3
	9.5 x 1.2	BDB95F		7.4	24.8	10.8	5.4		BMR6GP3
				9.0	24.0	-	5.4		
				10.8	30.0	16.0	5.4		

* REMOVE STOP PLATE BEFORE CRIMPING THESE CONNECTORS



MALE TABS

- Material - Brass terminal with copper sleeve - tin plated Vinyl insulation.

CONDUCTOR SIZE (mm ²)	TAB SIZE (mm)	CATALOGUE NUMBER	COLOUR CODE	DIMENSIONS (mm)				INSTALLATION TOOLING	
				B	L	Z	D	NON RATCHET	RATCHET
0.75 TO 1.5	6.3 x 0.8	BDR63M	RED	6.3	21.0	11.0	3.2	BM6P	BMR1P1 BMR2P2 BMR6P3 BMR6GP3
1.5 TO 2.5	6.3 x 0.8	BDB63M	BLUE	6.3	21.0	11.0	4.1	BM6P	BMR2P1 BMR2P2 BMR6P3 BMR6GP3
4.0 TO 6.0	6.3 x 0.8	BDY63M	YELLOW	6.3	25.0	11.0	5.4	BM6P	BMR6P1 BMR6P3 BMR6GP3