

Branch connector with moulded insulation shrouds for service conductors

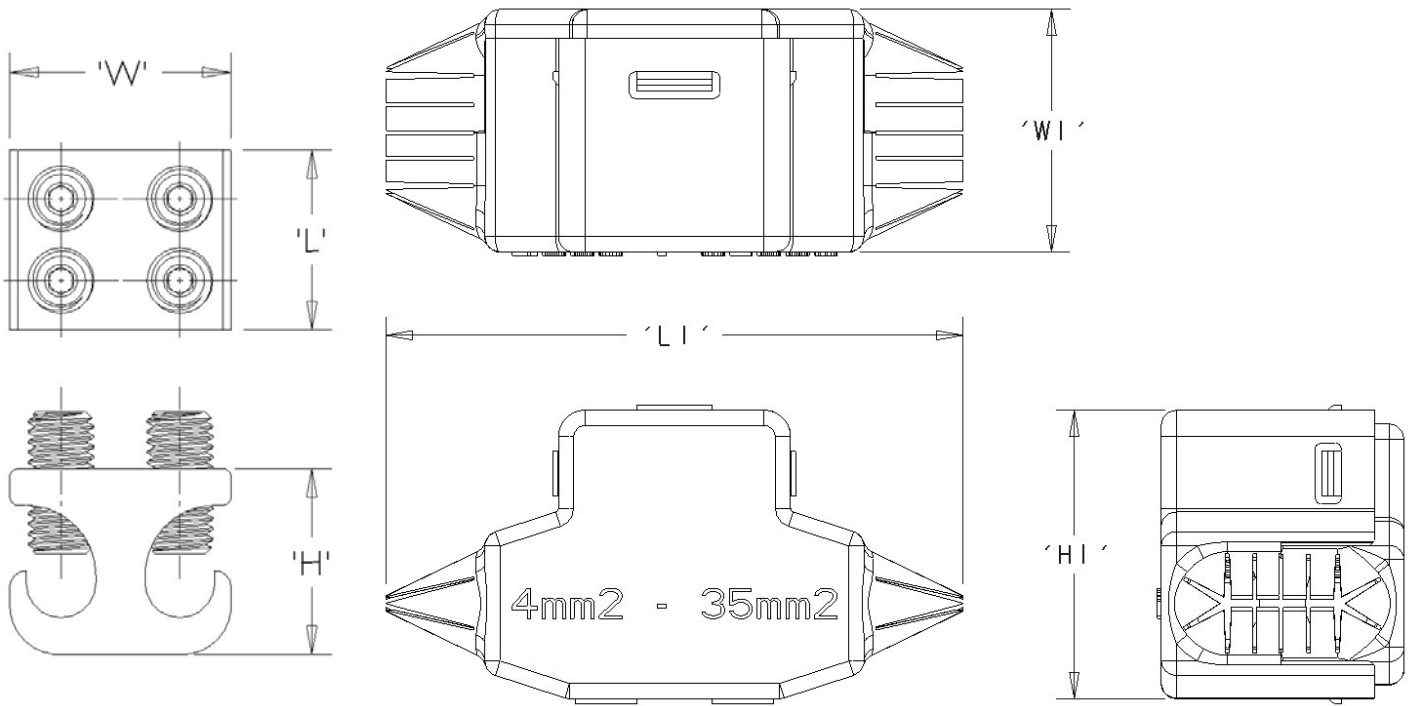
ANC Connectors can be installed on all service cable types such as stranded, solid, aluminium or copper. The moulded orange insulation shrouds offer reliable and robust insulation thus reducing installation time and making live working easier and safer.

Features and benefits

- Suitable for both copper and aluminium conductors.
- Branch connection can be made without cutting the existing main cable.
- Quick and easy to install moulded insulation shroud.

Standards

- Connector tested to ER C79.
- Moulded insulation shroud tested to 5 kV AC and 1 kV DC.



| Reference | PN | TCPN | L | H | W | L1 | H1 | W1 | Conductor range (mm ²) |
|-----------|---------------|------------|----|----|----|----|----|----|------------------------------------|
| ANC35INS | BAH-031000010 | CH5421-000 | 22 | 23 | 27 | 76 | 38 | 32 | 4 - 35 |

While TE has made every reasonable effort to ensure the accuracy of the information in this catalogue, TE does not guarantee that it is error-free, nor does TE make any other representation, warranty or guarantee that the information is accurate, correct, reliable or current. TE reserves the right to make any adjustments to the information contained herein at any time without notice. TE expressly disclaims all implied warranties regarding the information contained herein, including, but not limited to, any implied warranties of merchantability or fitness for a particular purpose. The dimensions in this catalogue are for reference purposes only and are subject to change without notice. Specifications are subject to change without notice. Consult TE for the latest dimensions and design specifications. TE connectivity (logo), TE (logo) and TE Connectivity are trademarks of the TE Connectivity Ltd. family of companies. Other logos, product and company names mentioned herein may be trademarks of their respective owners.

TE Energy – innovative and economical solutions for the electrical power industry: cable accessories, connectors & fittings, insulators & insulation, surge arresters, switching equipment, street lighting, power measurement and control.

Tyco Electronics UK Ltd
 a TE Connectivity Ltd. company
 Freebournes Road
 Witham, Essex CM8 3AH, UK

Phone: +44 (0)870 870 7500
 Fax: +44 (0)870 240 5289
 Email: ukutilities@te.com
 www.energy.te.com



Date: 23/04/2012
 Revision: A
 DATA SHEET
 Number: EPP-1983

©Tyco Electronics UK Ltd.