

## Connector with moulded insulation shroud for service phase conductors

The P1INS connector is designed for straight or branch jointing the phase conductors of low voltage service cables up to 35mm<sup>2</sup>. The moulded orange insulation shrouds offer reliable and robust insulation thus reducing installation time and making live working easier and safer.

### Features and benefits

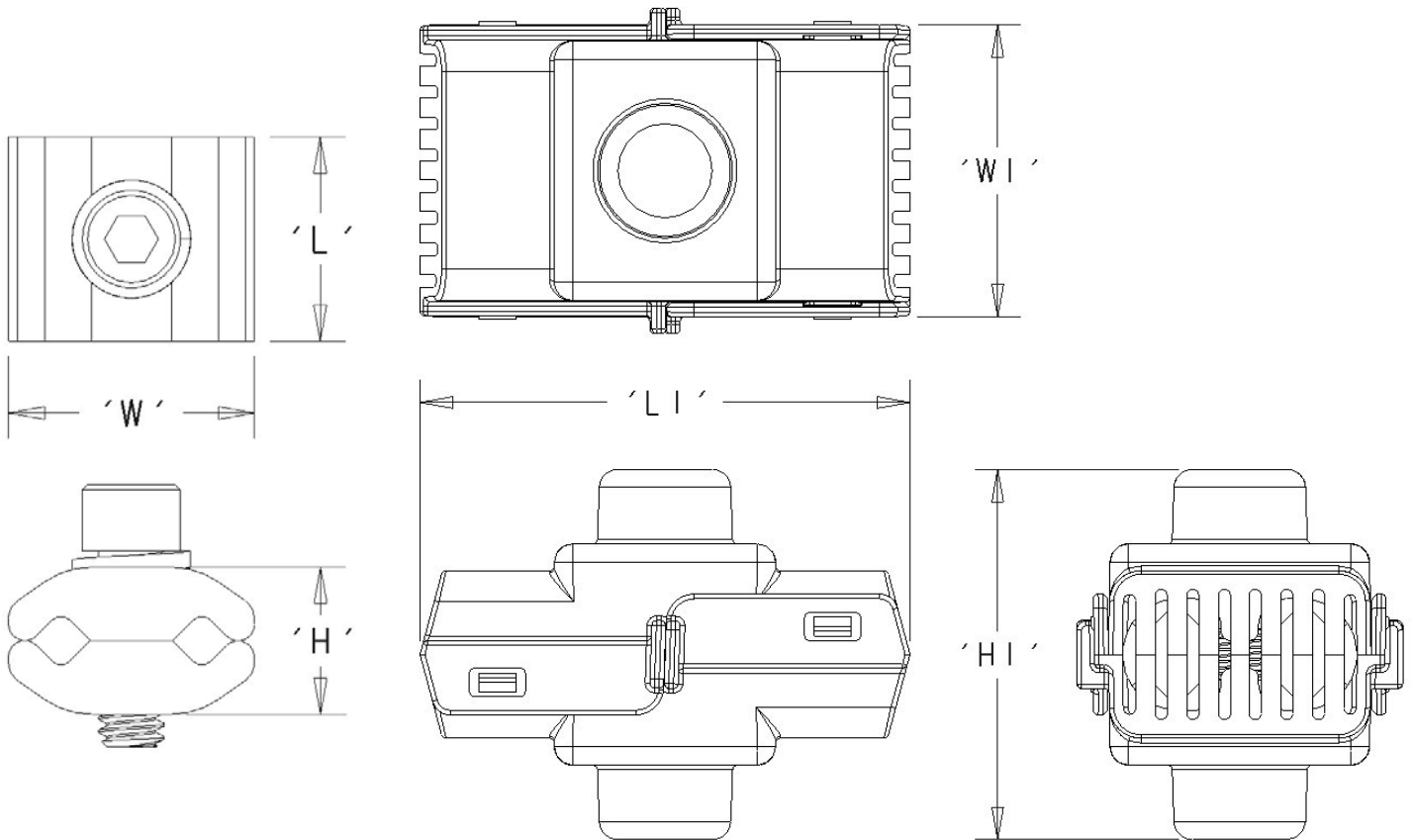
- Suitable for both copper and aluminium conductors.
- Quick and easy to install moulded insulation shroud.

### Notes:

Stranded conductors less than 16mm<sup>2</sup> should be doubled and preferably wrapped in a brass gauze before insertion into the connector.

### Standards

- Connector tested to ER C79
- Moulded insulation shroud tested to 5 kV AC and 1 kV DC.



Reference	PN	TCPN	L	H	W	L1	H1	W1	Conductor range (mm <sup>2</sup> )
P11NS	BAH-031010026	CX8588-000	20	14.5	24	52.5	40	31.5	4 - 35

While TE has made every reasonable effort to ensure the accuracy of the information in this catalogue, TE does not guarantee that it is error-free, nor does TE make any other representation, warranty or guarantee that the information is accurate, correct, reliable or current. TE reserves the right to make any adjustments to the information contained herein at any time without notice. TE expressly disclaims all implied warranties regarding the information contained herein, including, but not limited to, any implied warranties of merchantability or fitness for a particular purpose. The dimensions in this catalogue are for reference purposes only and are subject to change without notice. Specifications are subject to change without notice. Consult TE for the latest dimensions and design specifications. TE connectivity (logo), TE (logo) and TE Connectivity are trademarks of the TE Connectivity Ltd. family of companies. Other logos, product and company names mentioned herein may be trademarks of their respective owners.

**TE Energy – innovative and economical solutions for the electrical power industry: cable accessories, connectors & fittings, insulators & insulation, surge arresters, switching equipment, street lighting, power measurement and control.**

**Tyco Electronics UK Ltd**  
 a TE Connectivity Ltd. company  
 Freebournes Road  
 Witham, Essex CM8 3AH, UK

Phone: +44 (0)870 870 7500  
 Fax: +44 (0)870 240 5289  
 Email: ukutilities@te.com  
 www.energy.te.com



Date: 23/04/2012  
 Revision: A  
 DATA SHEET  
 Number: EPP-1982

©Tyco Electronics UK Ltd.