

Orbit Cleat

379 Series



The 379 series should be used when you need the best level of protection in harsh environments under the highest fault conditions.

Features and benefits

- Suitable for use with cable diameters 30 to 150mm.
- Single or double bolt fixing with reversible base for range taking.
- Operating temperatures -40°C to +120°C.
- Ergonomic design allows easy installation, with single tool tightening from the top side.
- Manufactured from non-magnetic, corrosion resistant 316L stainless steel.
- Liners are made from LSOH materials.
- Suitable for use with single and multicore cables with high fault current requirements.
- Suitable for standard and LSOH cable sheaths.
- Can be used in harsh environments.
- Can be used with all standard ladder and tray systems.
- Complies with BS EN 61914:2016

Performance Data

BS EN 61914:2016	Clause	Classification
Type	6.1.3	Composite
Operating Temperature	6.2	-40 °C to + 120 °C
Resistance to Short Circuit (two shot)	6.4.5	77.3kA RMS, 170kA Peak, Cable Spacing =125mm, Cleat Spacing = 600mm, Cable Ø = 66mm
Resistance to Corrosion	6.5.2.2	High, Outdoor - wet conditions

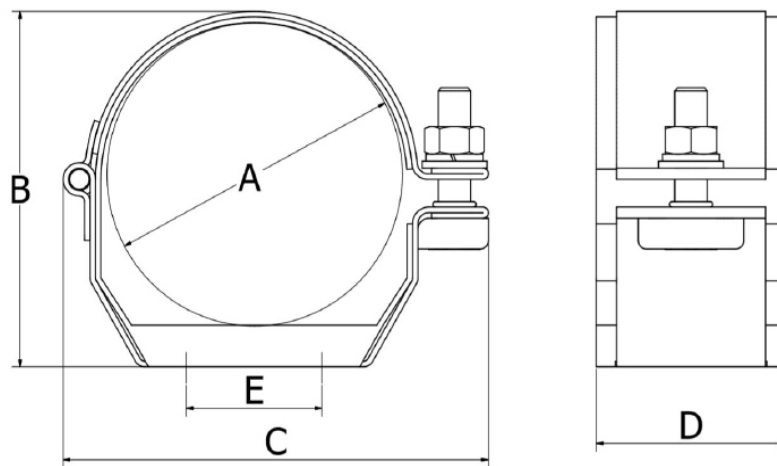
* Technical Information subject to change without notice

Technical Data

Cleat Selection			Cleat Details				Weight (g)
Design Number	Cable Diameter		Dimensions (mm)				
	A (mm)		B	C	D	E	
	Min	Max					
379SC01	30	40	86	65	70	Centre hole only	435
379SC02	38	46	92	71	70	Centre hole only	467
379SC03	45	53	99	78	70	Centre hole only	499
379SC04	52	60	106	85	70	25	530
379SC05	59	67	113	92	70	25	526
379SC06	66	74	120	99	70	25	558
379SC07	72	82	132	111	70	25	639
379SC08	82	92	141	120	70	25	683
379SC09	92	103	151	130	70	50	737
379SC10	103	113	160	139	70	50	784
379SC11	113	123	169	148	70	50	764
379SC12	122	132	178	157	70	50	865
379SC13	131	141	177	156	70	50	908
379SC14	140	150	196	175	70	75	950

* Technical Information subject to change without notice

All cleats have a single central fixing hole for a 12mm diameter fixing bolt. Styles 04 to 14 can also be fixed with 2 x 10mm bolts - the 10mm clearance holes are positioned either side of the central hole with centres as per dimension E.



Prysmian Cables & Systems Limited,
Oak Road, Wrexham Industrial Estate, Wrexham, LL13 9PH, UK

Commercial Enquiries,
Sales Office Tel: 0845 767 8345,
International Sales Office Tel: +44 2380 295481

www.biconcomponents.co.uk