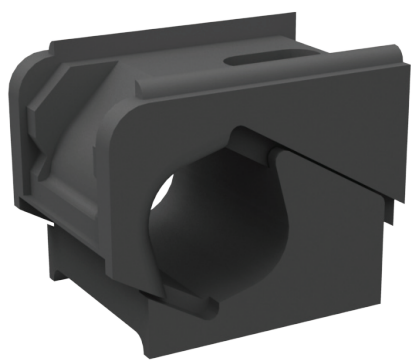


# Ranger® Cleat

## 382 Series



**The ranger cleat is a self-adjusting two piece cable cleat, made from ABS providing good oil and chemical resistance.**

### Features and Benefits

- Suitable for use with cable diameters 13 to 76mm.
- Overlapping, self-adjusting ranges.
- Sunlight (UV) and weather resistant.
- Made from ABS which provides good oil and chemical resistance.
- Two piece, single bolt fixing.
- Double stacking facility.
- Operating temperature -20°C to +90°C.
- 'C' Section channel location aids fixing and stacking.
- Not designed for long vertical runs.

## Technical Data

Cable and Cleat Selection			Cleat Details						
Design Number	Cable diameter		Dimensions (mm)				SWL FOS2 (kgf)	Weight (g)	
	A (mm)		B	C	D	E			
	Min	Max	Max						
382AA01	13	18	35.5	47	49	18	300	51	
382AA02	17	22	40	47	54	20	260	52.5	
382AA03	21	28	45	47	62	24	295	63	
382AA04	27	37	53	47	67	30	167	76	
382AA05	36	51	69	47	92	36	158	121	
382AA06	50	76	92	47	111	52	110	193	

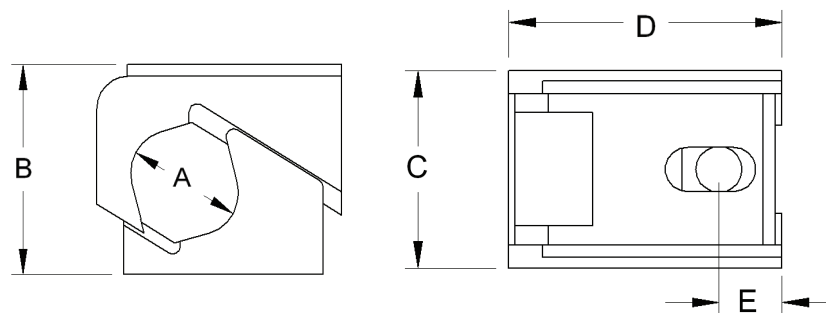
\* Technical information subject to change without notice

### Method of Fixing

In all applications the cleat should be mounted on suitable M10 fixings. There is no need for any channel adaptor when mounting directly on to 'C' section channel.

SWL data based upon the use of commercial grade 4.6 mild steel.

SWL = Safe working load.



**Prysmian Cables & Systems Limited,**  
Oak Road, Wrexham Industrial Estate, Wrexham, LL13 9PH, UK

**Commercial Enquiries,**  
Sales Office Tel: 0845 767 8345,  
International Sales Office Tel: +44 2380 295481

[www.biconcomponents.co.uk](http://www.biconcomponents.co.uk)