



## TE'S RAYCHEM SCREENED T-CONNECTORS RSTI-X9

FOR LARGE CROSS SECTIONS, INTERFACE C, RATED UP TO 1250A/42 kV

### KEY FEATURES

- Screened connector does not need to be removed for over sheath testing
- Wide application range covers cable cross sections from 400 mm<sup>2</sup> to 1000 mm<sup>2</sup>
- Easy access rear plug with capacitive test point
- Insulation made of highly modified silicone rubber
- Compact design supports use of double "T" connections inside standard terminal boxes
- Unlimited shelf-life

TE Connectivity's (TE) Raychem Screened separable T-connectors RSTI-x9 are designed to connect single and three-core polymeric cables to medium voltage gas insulated switchgear and other equipment using bushings type "C" (EN50180/EN50181) specified for 630/1250A up to 42 kV.

Made of a highly modified silicone rubber and screened by a thin-walled, grounded outer conductive screen, TE's Raychem RSTI-x9 connectors are equally suited for indoor and outdoor application.

Supporting a wide application range, the design incorporates one body and three stress cone adapters to cover any cross-sections from 400 mm<sup>2</sup> to 1000 mm<sup>2</sup> and any voltage classes from 12 kV to 42 kV. The conductor connection will be provided with mechanical lugs. The overall and cut-back dimensions are designed to take up minimum space in the terminal box.

TE's Raychem RSTI-x9 connectors are equipped with a capacitive test point for determining whether the circuit is energised. A conductive cap protects this test point.

The RSTI-x9 connectors exceeds CENELEC HD 629.1 S2 requirements, which includes BS; VDE and other international specifications. Our kits include high performance mechanical lugs.

**Customers can count on consistent, high quality products, driven by TE's proven innovation and backed by our extraordinary customer support.**

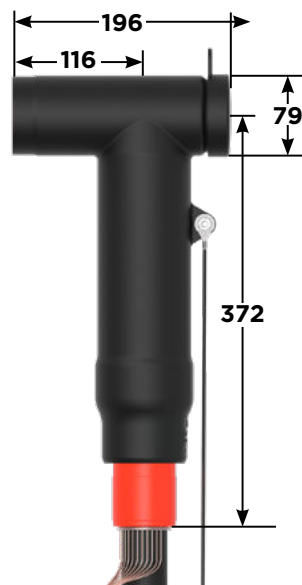
## TE's Raychem Screened T-Connectors RSTI-x9



The RSTI-x9 screened cable connectors meet CENELEC HD 629.1 S2 requirements, which includes BS, VDE and other international specifications.

| TECHNICAL DATA                        |  |
|---------------------------------------|--|
| Cable insulation diameter range       | 28.9 mm - 59.0 mm                          |
| Connector cross-section range         | 400 mm <sup>2</sup> - 1000 mm <sup>2</sup> |
| Maximum system voltage                | 42 kV                                      |
| Continuous current rating             | 1250A*                                     |
| Basic impulse level                   | 200 kV                                     |
| Partial discharge at 2 U <sub>0</sub> | < 2 pC                                     |
| AC voltage withstand, 5 min.          | 93.5 kV                                    |
| DC voltage withstand, 15 min.         | 125 kV                                     |
| Thermal short circuit, 1 s            | 74.5 kA                                    |
| Thermal short circuit, 3 s            | 43 kA                                      |
| Dynamic short circuit                 | 125 kA                                     |

\* 1250 A is relevant for upgraded bushing C2 and cables with copper conductors. The adapters meet the international CENELEC HD 629.1 S2 specification.



| PRODUCT SELECTION INFORMATION            |                               |      |                                  |
|--|-------------------------------|------|----------------------------------|
| Description                              | Diameter Core Insulation (mm) |      | Cross Section (mm <sup>2</sup> ) |
|  | min                           | max  |                                  |
| <b>12 kV with mechanical lugs</b>        |                               |      |                                  |
| RSTI-3951 (Al or Cu)                     | 28.9                          | 36.4 | 400                              |
| RSTI-3952 (Al or Cu)                     | 28.9                          | 36.4 | 500                              |
| RSTI-3953 (Al or Cu)                     | 34.0                          | 45.4 | 630                              |
| RSTI-3954 (Al or Cu)                     | 34.0                          | 45.4 | 800                              |
| RSTI-3955 (Al or Cu)                     | 39.1                          | 59.0 | 1000                             |
| <b>24 kV with mechanical lugs</b>        |                               |      |                                  |
| RSTI-5951 (Al or Cu)                     | 34.0                          | 45.4 | 400                              |
| RSTI-5952 (Al or Cu)                     | 34.0                          | 45.4 | 500-630                          |
| RSTI-5953 (Al or Cu)                     | 39.1                          | 59.0 | 630                              |
| RSTI-5954 (Al or Cu)                     | 39.1                          | 59.0 | 800                              |
| RSTI-5955 (Al or Cu)                     | 39.1                          | 59.0 | 1000                             |
| <b>36 and 42 kV with mechanical lugs</b> |                               |      |                                  |
| RSTI-6951 (Al or Cu)                     | 34.0                          | 45.4 | 400                              |
| RSTI-6952 (Al or Cu)                     | 39.1                          | 59.0 | 500 - 630                        |
| RSTI-6953 (Al or Cu)                     | 39.1                          | 59.0 | 800                              |

### TEST REPORT

PPR-2704

[te.com/energy](http://te.com/energy)

©2018 TE Connectivity Ltd. All Rights Reserved. EPP-1715-10/18-EN

Raychem, TE Connectivity and TE Connectivity (logo) are trademarks. Other logos, product and/or company names might be trademarks of their respective owners. While TE has made every reasonable effort to ensure the accuracy of the information in this brochure, TE does not guarantee that it is error-free, nor does TE make any other representation, warranty or guarantee that the information is accurate, correct, reliable or current. TE reserves the right to make any adjustments to the information contained herein at any time without notice. TE expressly disclaims all implied warranties regarding the information contained herein, including, but not limited to, any implied warranties of merchantability or fitness for a particular purpose. The dimensions in this catalog are for reference purposes only and are subject to change without notice. Specifications are subject to change without notice. Consult TE for the latest dimensions and design specifications.

### FOR MORE INFORMATION: TE Technical Support Centers

|                   |                       |
|-------------------|-----------------------|
| USA:              | + 1 800 327 6996      |
| Canada:           | + 1 (905) 475-6222    |
| Mexico:           | + 52 (0) 55-1106-0800 |
| Latin/S. America: | + 54 (0) 11-4733-2200 |
| France:           | + 33 380 583 200      |
| UK:               | + 44 0870 870 7500    |
| Germany:          | + 49 896 089 903      |
| Spain:            | + 34 916 630 400      |
| Italy:            | + 39 333 250 0915     |
| Benelux:          | + 32 16 508 695       |
| Russia:           | + 7 495-790 790 2-200 |
| China:            | + 86 (0) 400-820-6015 |