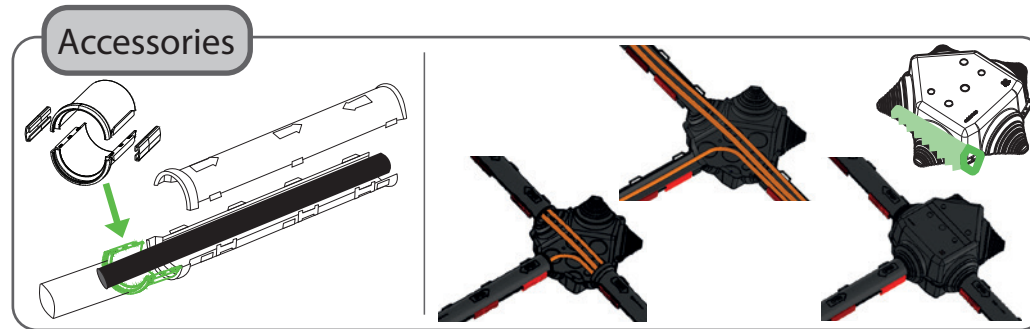
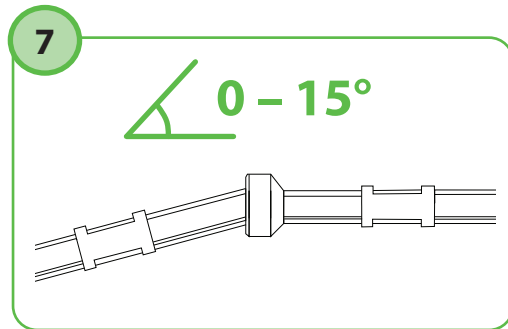
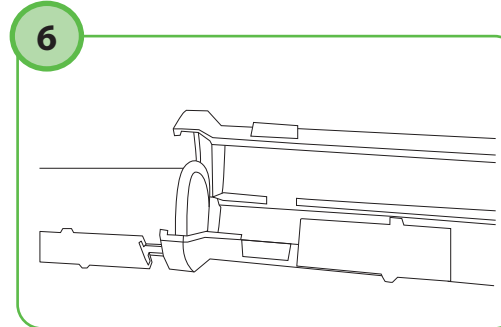
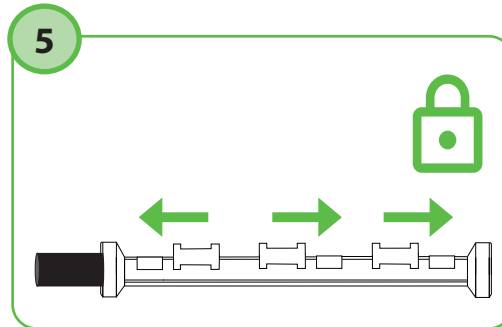
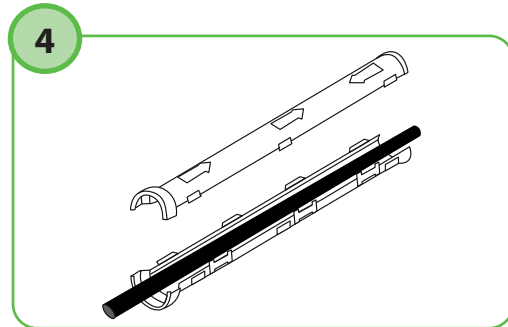
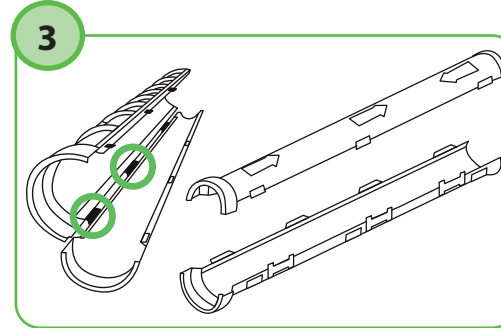
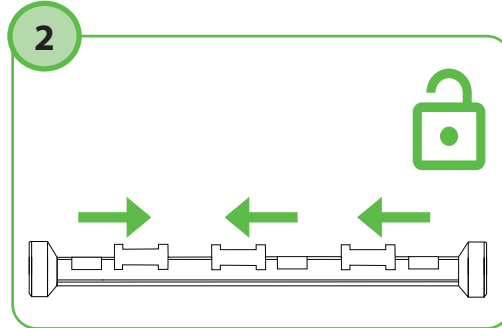
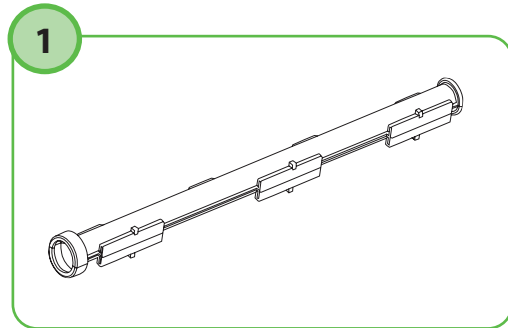


Assembly Instruction

Snap Hardlock™

General assembly instructions, valid until further notice.



Outer diameter (mm)	60	110	160	220
Inner diameter (mm)	50	99	144	200
Lock Colour				
Length (cm)	100	100	100	100
Quantity (pieces / pallet)	256	108	48	24



Scan the QR-code to see a video of the assembly instruction.

Greenpipe



For all enquiries please contact your nearest Cable Services branch:

CS - Wrexham Tel: 01978 340450

CS - Stone Tel: 01785 825970

CS - Liverpool Tel: 0151 9339022

• Email: sales@cableservices.co.uk

• Email: central@cableservices.co.uk

• Email: liverpool@cableservices.co.uk

CS - Swindon

CS - Glasgow

CS - International

Tel: 01793 953399

Tel: 0141 6212060

Tel: 01978 340452

• Email: swindon@cableservices.co.uk

• Email: scotland@cableservices.co.uk

• Email: export@cableservices.co.uk

For further information please visit: www.cableservices.co.uk or follow us on

