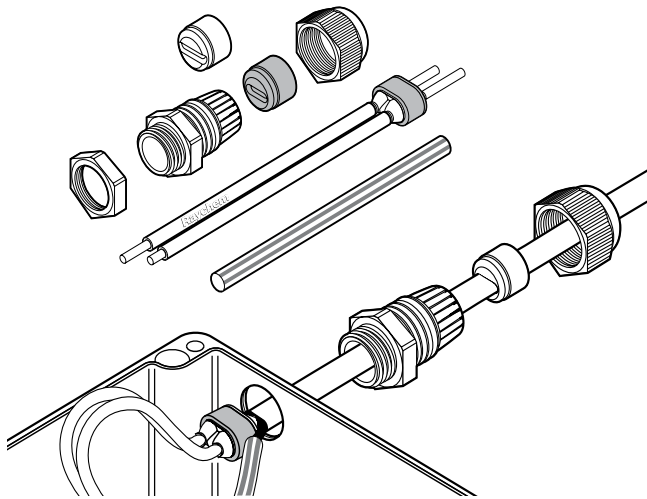


## COLD APPLIED CONNECTION KIT



This connection kit is designed for terminating all nVent RAYCHEM BTV, QTVR, XTV, KTV and VPL industrial parallel heating cables to a junction box, whilst maintaining electrical insulation of the heating cable conductors and core. It is approved for use in hazardous areas.

The core sealing boot does not require a heat gun or torch for the installation (no hot work permit necessary). The non-curing sealant (silicone free) allows easy installation and facilitates maintenance purposes.

Two grommets supplied in this kit enable the gland to maintain optimum sealing under various ambient conditions. An additional locknut is provided for unthreaded entries.

### APPLICATION

Connection kit for BTV, QTVR, XTV, KTV and VPL parallel heating cables.

### KIT CONTENTS

1 gland, 2 grommets, 1 locknut, 1 core sealer, 1 green/yellow tube, 1 installation instruction (multilingual)

### APPROVALS

PTB 09 ATEX 1063 U  II 2G Ex e II  
 II 2D Ex tD A21 IP66

IECEx PTB 09.0040U Ex e II  
 Ex tD A21 IP66  
 DNV-GL TAE00000TV  
 DNV-GL TAE00000TU



TC RU C-BE.MЮ62.B.00054/18  
 1Ex e IIC Gb X Ex tb IIIC Db X  
 Ta -55°C...+110°C IP66  
 000 "ТехИмпорт"

### PRODUCT SPECIFICATION

Area classification	Hazardous, Zone 1, Zone 2 (Gas), Zone 21, Zone 22 (Dust) Ordinary
Type	Cold applied
Thread size	M25 x 1.5
Min. ambient temperature	-50°C
Max. exposure temperature (gland)	110°C

### ORDERING DETAILS

Part description	C25-100
PN (Weight)	263012-000 (0.07 kg)

**North America**

Tel +1.800.545.6258  
Fax +1.800.527.5703  
thermal.info@nvent.com

**Europe, Middle East, Africa**

Tel +32.16.213.511  
Fax +32.16.213.604  
thermal.info@nvent.com

**Asia Pacific**

Tel +86.21.2412.1688  
Fax +86.21.5426.3167  
cn.thermal.info@nvent.com

**Latin America**

Tel +1.713.868.4800  
Fax +1.713.868.2333  
thermal.info@nvent.com



[nVent.com](http://nVent.com)

Our powerful portfolio of brands:

**CADDY ERICO HOFFMAN RAYCHEM SCHROFF TRACER**